

May 18, 1954

W. E. BROWN

Des. 172,215

THREE-WHEEL MOTORCYCLE

Filed July 12, 1952

FIG. 1

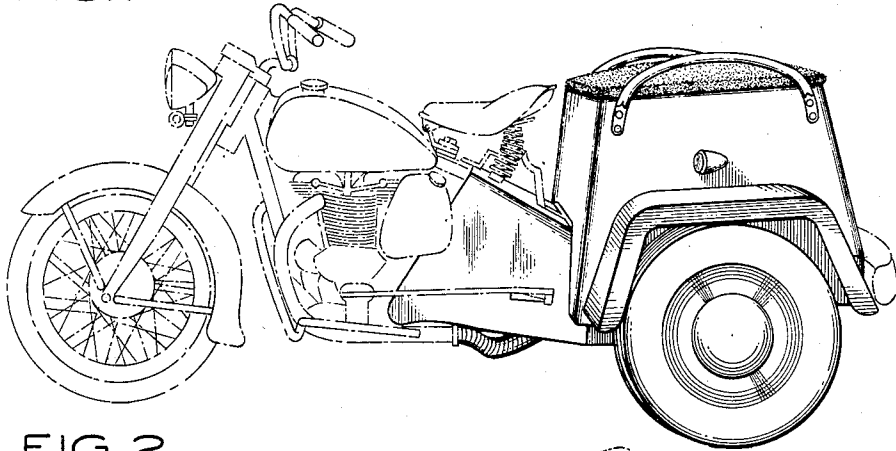


FIG. 2

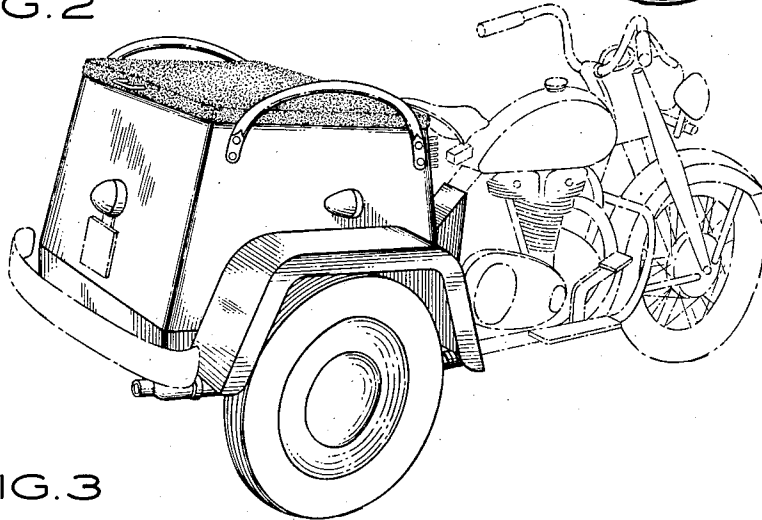
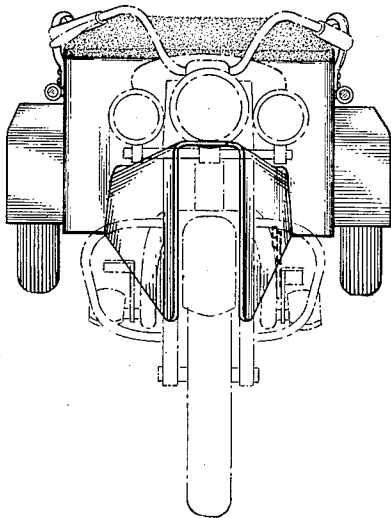


FIG. 3



INVENTOR
WALTER E. BROWN

BY *Chapin & Neal*
ATTORNEYS

UNITED STATES PATENT OFFICE

172,215

THREE-WHEEL MOTORCYCLE

Walter E. Brown, North Wilbraham, Mass., assignor to The Indian Company, a corporation of Delaware

Application July 12, 1952, Serial No. 20,598

Term of patent 14 years

(Cl. D90-8)

To all whom it may concern:

Be it known that I, Walter E. Brown, a citizen of the United States residing at North Wilbraham, Commonwealth of Massachusetts, have invented a new, original, and ornamental Design for a Three-Wheel Motorcycle, of which the following is a specification, reference being had to the accompanying drawing, forming a part hereof.

In the drawing:

Fig. 1 is a side perspective view of a three-wheel motorcycle embodying my new design;

Fig. 2 is a perspective from the rear; and

Fig. 3 is a front elevational view thereof.

The essential features of my design reside in those portions indicated by solid lines.

I claim:

The ornamental design for a three-wheel motorcycle, as shown and described.

References Cited in the file of this patent

UNITED STATES PATENTS

Number	Name	Date
D. 165,690	Kistler	Jan. 15, 1952

OTHER REFERENCES

Automotive Industries, December 1, 1948, page 19, "Three-Wheeling Mustang."

Life, September 27, 1943, page 34, Army Truck in front of picture at top of page.

"Indian Commercial Motorcycle," pamphlet, rec'd. May 1946, page 5, Model DT-31.